

OPUS®

THE MULTI-AWARD WINNING INFLATABLE FOLDING CAMPER



GERMAN
DESIGN
AWARD
WINNER



GOOD
DESIGN
Award



opuscamper.co.uk



MADE IN
BRITAIN

OPUS® is a stylish and innovative multi-award winning folding camper.

It is compact and easy to tow, while also being spacious and superbly equipped. It is rugged and versatile, while also being comfortable and fun.



START YOUR ADVENTURE TODAY



SET-UP IN MINUTES

The integrated pump automatically inflates the Air OPUS® tent in under two minutes!

With OPUS® setting up struggles are a thing of the past. A simple 4 step process means that you will be set-up in a matter of minutes meaning more time to sit back and enjoy your adventure.



**Air beam technology
2 year guarantee**



Wind down the corner steady supports



Unclip the OPUS® roof lids and unfold

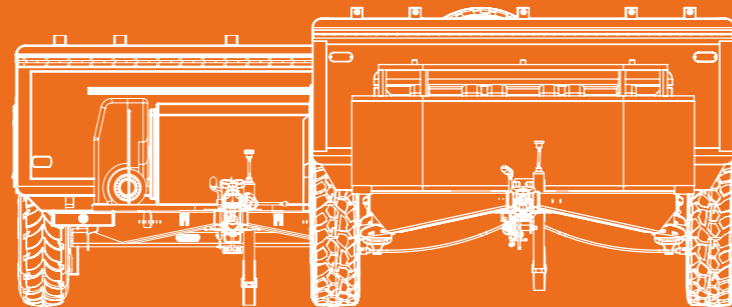


Press the button to start tent inflation



Set-up complete

**STYLE.
LUXURY.
COMFORT.**



Strong yet lightweight aluminium frame

Strength and rigidity whilst saving weight

Lightweight canvas tent

With panoramic windows and 2.5 metres of headroom

Load carrying roof for all occasions

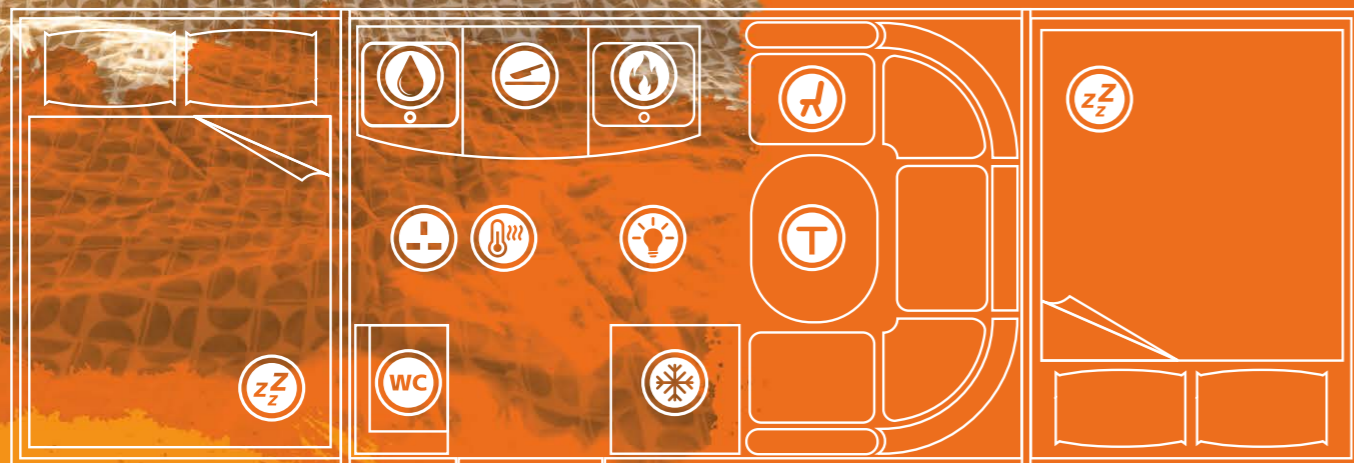
Bring anything from bikes & kayaks to the kitchen sink!

Braked trailer with 13 pin electrics

Charge you leisure battery whilst you tow with ease

The Air OPUS® has been designed for use in all seasons, come rain or shine you'll have a spacious and comfortable base to return to after your adventures.

Don't let its compact stature fool you, the OPUS® is filled with clever features that make your adventures that little bit more special!



- Fixed double bed areas**
With inner privacy tents
- Leatherette seating area**
Additional double bed
- Double burner gas hob**
Piezo ignition + glass lid
- Stainless steel sink**
Glass lid
- 3 way fridge+**
Cabinet mounted
- Work surface**
Drawer unit + storage
- Table**
Demountable
- Portable toilet+**
/Storage unit
- Heater**
Mains powered
- Plug sockets**
3 pin, 12v & USB+ power
- LED lighting+**
12v powered & dimmable

With over 50 customisable options creating your unique OPUS® has never been easier!

+ Optional extras

OUTSIDE

INSIDE





SPACE
SPACE
SPACE
SPACE
SPACE



Space to sleep, space to store or a quiet space in the shade the OPUS® was crafted with space in mind.

Both the All-Road and Off-Road OPUS® have flexible options to add additional living and storage space;

Air Awning*

Doubles the living & sleeping space of the OPUS®

Air Sun Canopy

Offering cover from sun and rain

Air Wind Break Set

Expand your outdoor space with a view of the stars

Side skirts

Providing a huge amount of exterior storage

* Included as part of the All-Road Full Monty & Off-Road Extreme packages

Whether adventuring solo, with family, friends or all of the above OPUS® can be configured to sleep up to 10 happy campers.

SLEEP UP TO 10

The OPUS® Camper itself will sleep 6, 4 in the 2 fixed double beds as well as 2 in the converted seating area.

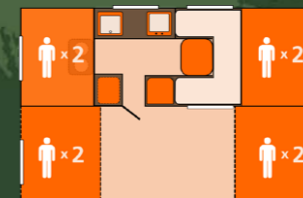
The addition of the optional Air Awning will allow you to sleep up to 10.



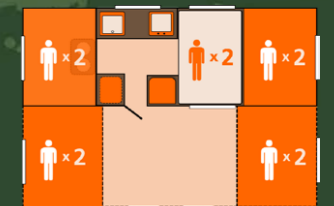
4 berth
2 Fixed double beds



6 berth
2 Fixed double beds
Converted seating area



8 berth
2 Fixed double beds
2 awning bed pods



10 berth
2 fixed double beds
Converted seating area
2 awning bed pods



ALL-ROAD SPECS

AIR OPUS®


Dimensions

Overall Length (closed) inc.drawbar	430cm
Overall Width	201cm
Internal Length (main body section)	283cm
Internal Width (main body section)	188cm
Towing Height	120cm
Wheels	185/70 R13
Overall Length (erected)	580cm
Overall Height (erected)	275cm
Interior Height (max)	244cm
Bed Size 1	190 x 140cm
Bed Size 2	190 x 140cm
Full Awning Width (optional)	600cm
Full Awning Depth (optional)	240cm

Weights

MIRO (mass in running order)	800kg
Max Tow Ball Mass (Nose Weight)	75kg

Standard colours

Graphite Grey O/G18	
Sunset Orange O/O20	
Sea Salt Blue O/B16	
Olive Green O/OG19	

Chassis configuration

MTPLM	User Payload
900 kg	100 kg
1050 kg	250 kg
1250 kg	450 kg
1500 kg	700 kg



The standard Air OPUS®

INCLUDES

- Standard body colour
- Steel wheels
- Roof cover
- Gas locker
- 13 pin hook up
- Built in heater (230v)
- 12v & 230v sockets
- Built in electric pump for inflation
- 12v submersible water pump
- Hand pump
- Leatherette seating
- 2 x double mattresses
- Inner bed tents
- Additional bed (Seating area)
- Kitchen area
- Work surfaces
- 2 Burner gas hob
- Stainless steel sink
- Storage cupboards
- Table

FIND OUT MORE
opuscamper.co.uk/all-road

OFF-ROAD SPECS




Dimensions

Overall Length (closed) inc.drawbar	540cm
Overall Width	215cm
Internal Length (main body section)	283cm
Internal Width (main body section)	188cm
Towing Height	140cm
Wheels	215/65/ R16
Overall Length (erected)	650cm
Overall Height (erected)	275cm
Interior Height (max)	244cm
Bed Size 1	190 x 140cm
Bed Size 2	190 x 140cm
Full Awning Width (optional)	600cm
Full Awning Depth (optional)	240cm

Weights

MIRO (mass in running order)	1100kg
Max Tow Ball Mass (Nose Weight)	120kg

Standard colours

Midnight black 
O/B19

Chassis configuration

MTPLM	User Payload
1250 kg	150 kg
1500 kg	400 kg
1750 kg	650 kg



The standard Off-Road Air OPUS®

INCLUDES

- Off-Road alloy wheels
- Roof Cover
- Gas locker (storage for 2 bottles)
- Battery box with 13 pin hook up
- Built in heater (230v)
- Internal 12v & 230v sockets
- External storage locker with 12v power
- External gas outlet & water inlet
- Jerry can & water storage positions
- Built in electric pump for inflation
- Integrated spare wheel carrier±
- Protective stone chip guard
- 12v submersible water pump
- Leatherette seating
- 2 x double mattresses
- Hand Pump
- Inner bed tents
- Additional bed (Seating area)
- Kitchen area & work surfaces
- Internal 2 burner gas hob
- Stainless steel sink
- Storage cupboards
- Table
- External 230v socket

± Spare Off-Road alloy wheel sold separately



FIND OUT MORE

opuscamper.co.uk/off-road



OPUS[®]

Find your local OPUS[®] dealer online at
www.opuscamper.co.uk

More questions? Call us on
01473 601200

Head office
Purple Line Ltd.
Peninsula Business Centre
Wherstead
Suffolk
IP9 2BB, UK



PCT Patent Pending GB/2017/050391

2021 Purple Line Ltd. Photographs & diagrams for illustration purposes only. Actual product may differ slightly. Pricing correct at time of print. All weights & dimensions are approximate. Purple Line Ltd. reserve the right to change product specification without prior notice. E & OE.

OPUS2021_EN8